

Service manual

COLOUR 5 PROFILE

19 DEG HD LENS FOR LED PROFILE

26 DEG HD LENS FOR LED PROFILE

36 DEG HD LENS FOR LED PROFILE

50 DEG HD LENS FOR LED PROFILE



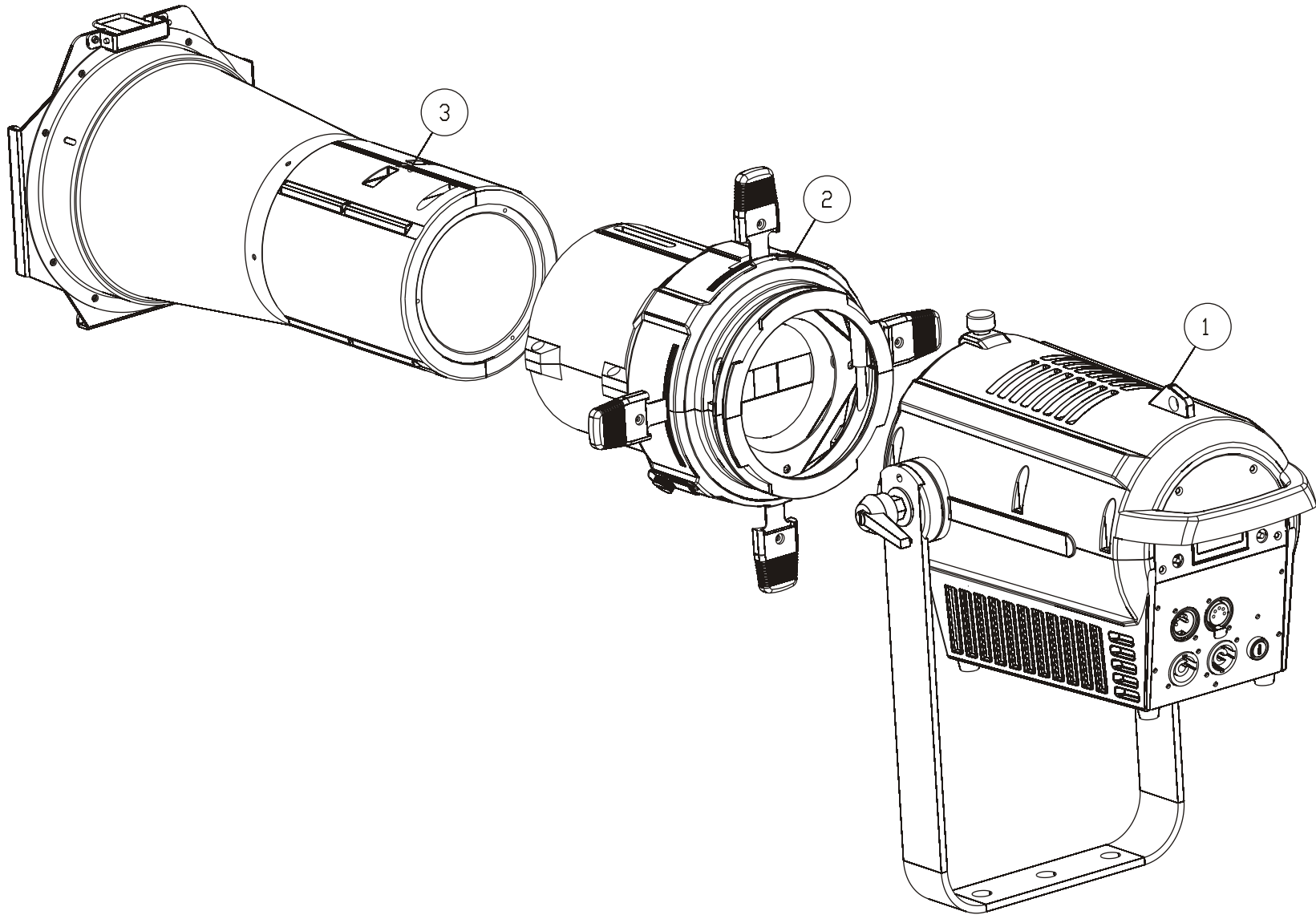
✘ **Exploded Diagrams**

✘ **Circuit Diagrams**

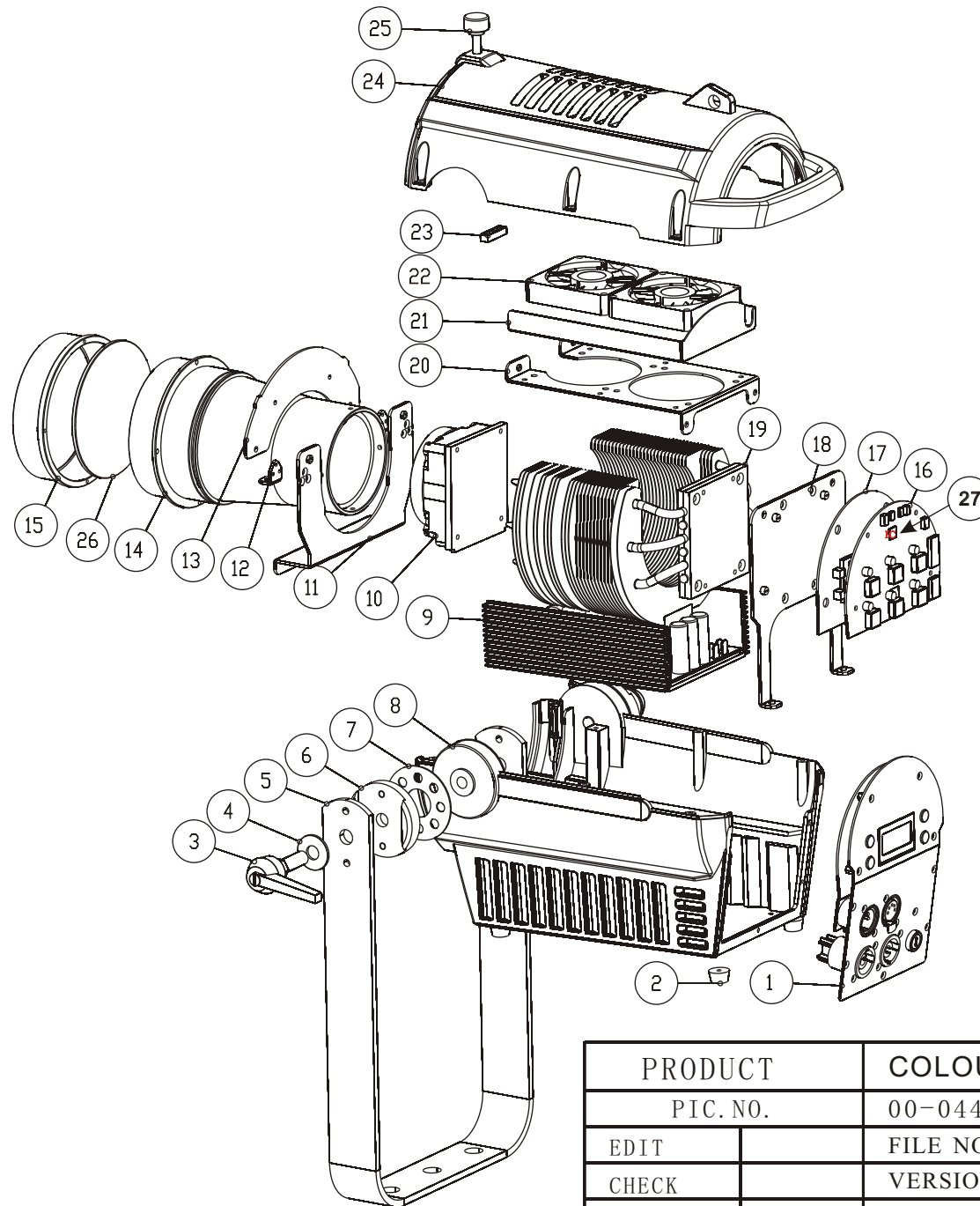
✘ **Wiring Diagrams**

✘ **Parts List**

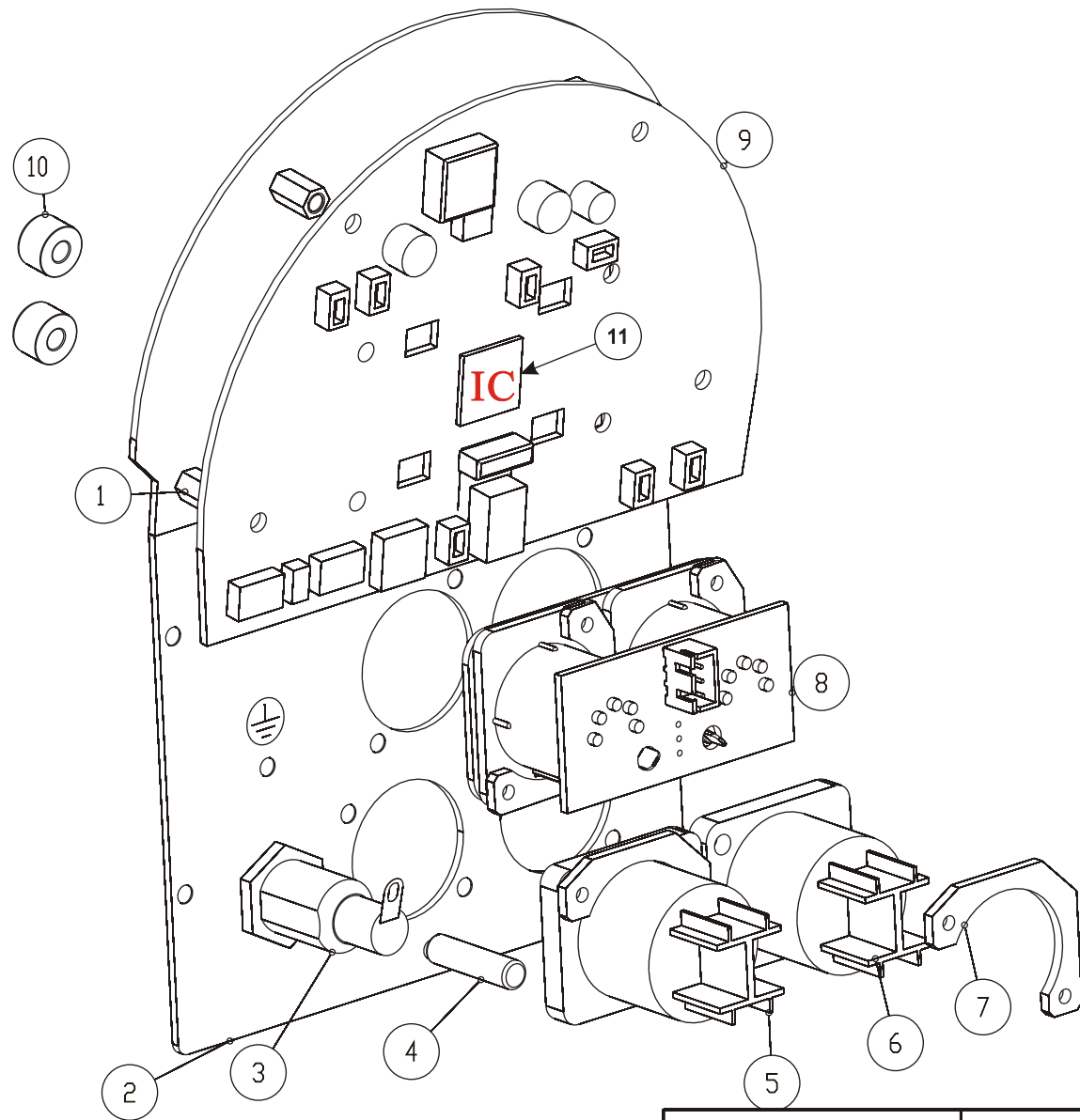
PRODUCT		COLOUR 5 PROFILE		
PIC. NO.		Front Page	Series NO.	N/A
EDIT		FILE NO.	HY-EXP-1523A	
CHECK		ORDER NO.	/	
APPROVE		VERSION	B	SOFTWARE VER. 1.0.2



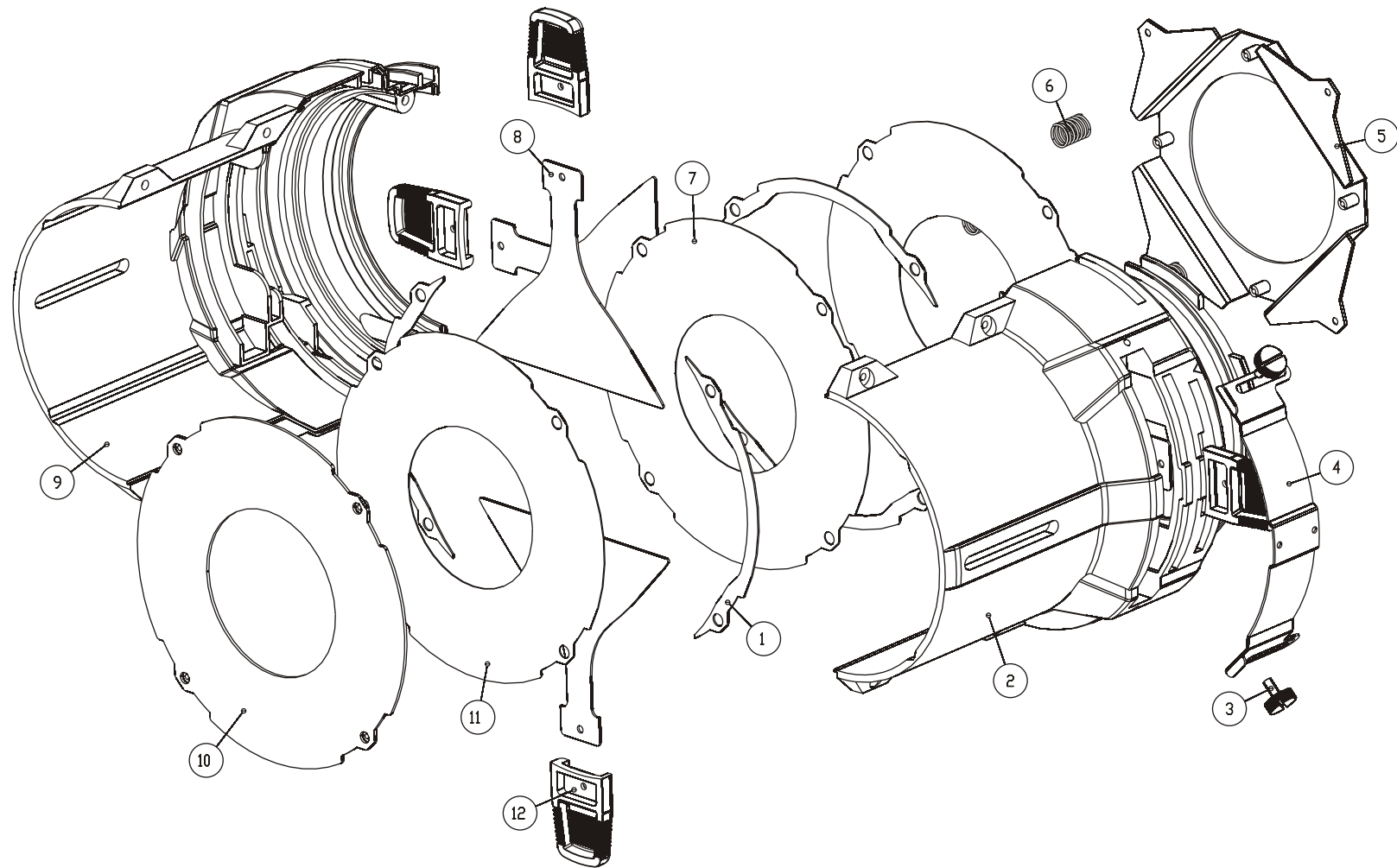
PRODUCT		COLOUR 5 PROFILE			
PIC. NO.		11-0172-00-00-00			
EDIT		FILE NO.	HY-EXP-15 23 A	PAGE NO.	1/11
CHECK		VERSION	B	DATE	2015. 5. 28
APPROVE		ECN NO.		DATE	



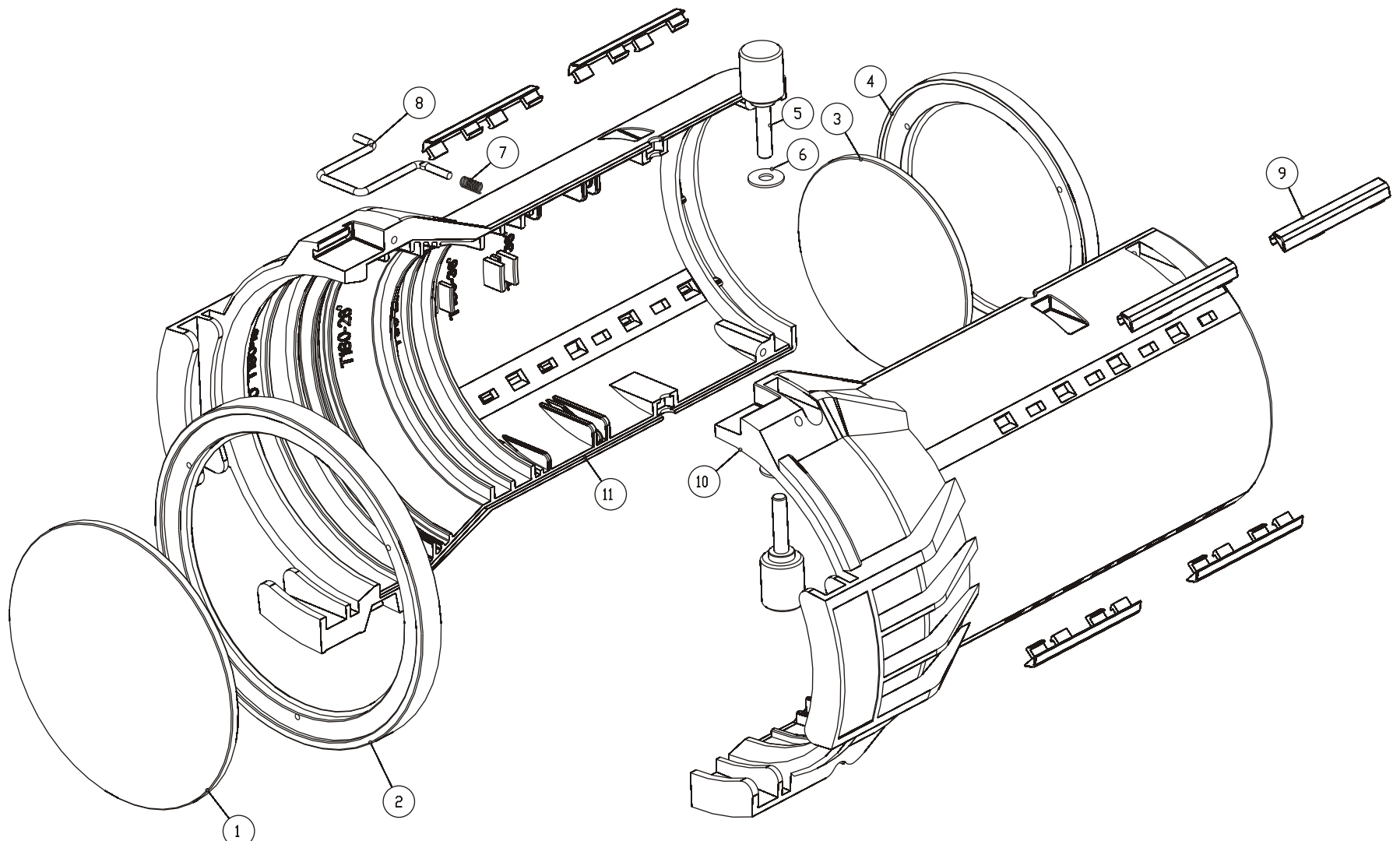
PRODUCT		COLOUR 5 PROFILE			
PIC. NO.		00-0445-01-00-00			
EDIT		FILE NO.	HY-EXP-15 23 A	PAGE NO.	2/11
CHECK		VERSION	B	DATE	2015. 5. 28
APPROVE		ECN NO.		DATE	



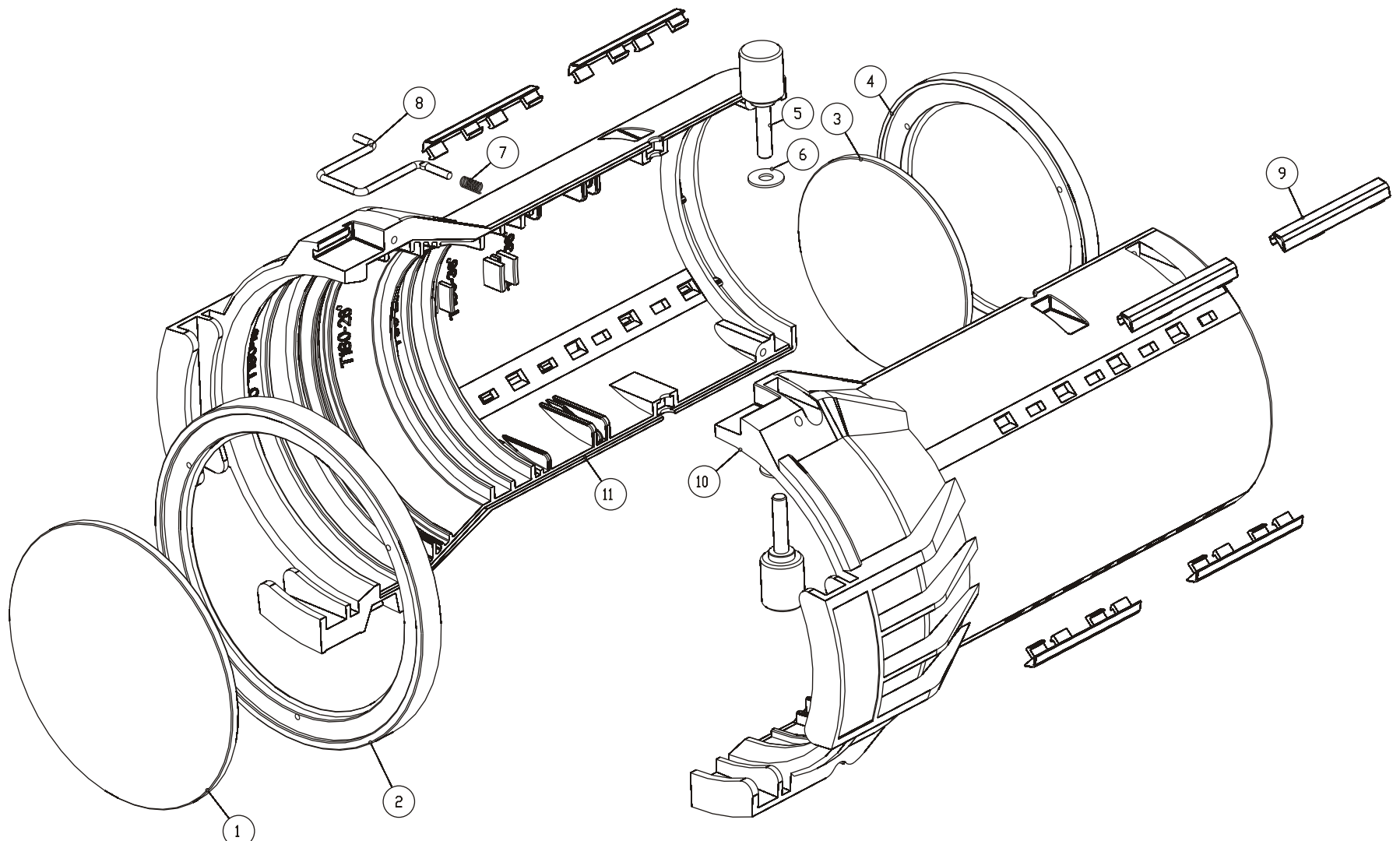
PRODUCT		COLOUR 5 PROFILE			
PIC. NO.		00-0445-01-02-00			
EDIT		FILE NO.	HY-EXP-15 23 A	PAGE NO.	3/11
CHECK		VERSION	B	DATE	2015. 5. 28
APPROVE		ECN NO.		DATE	



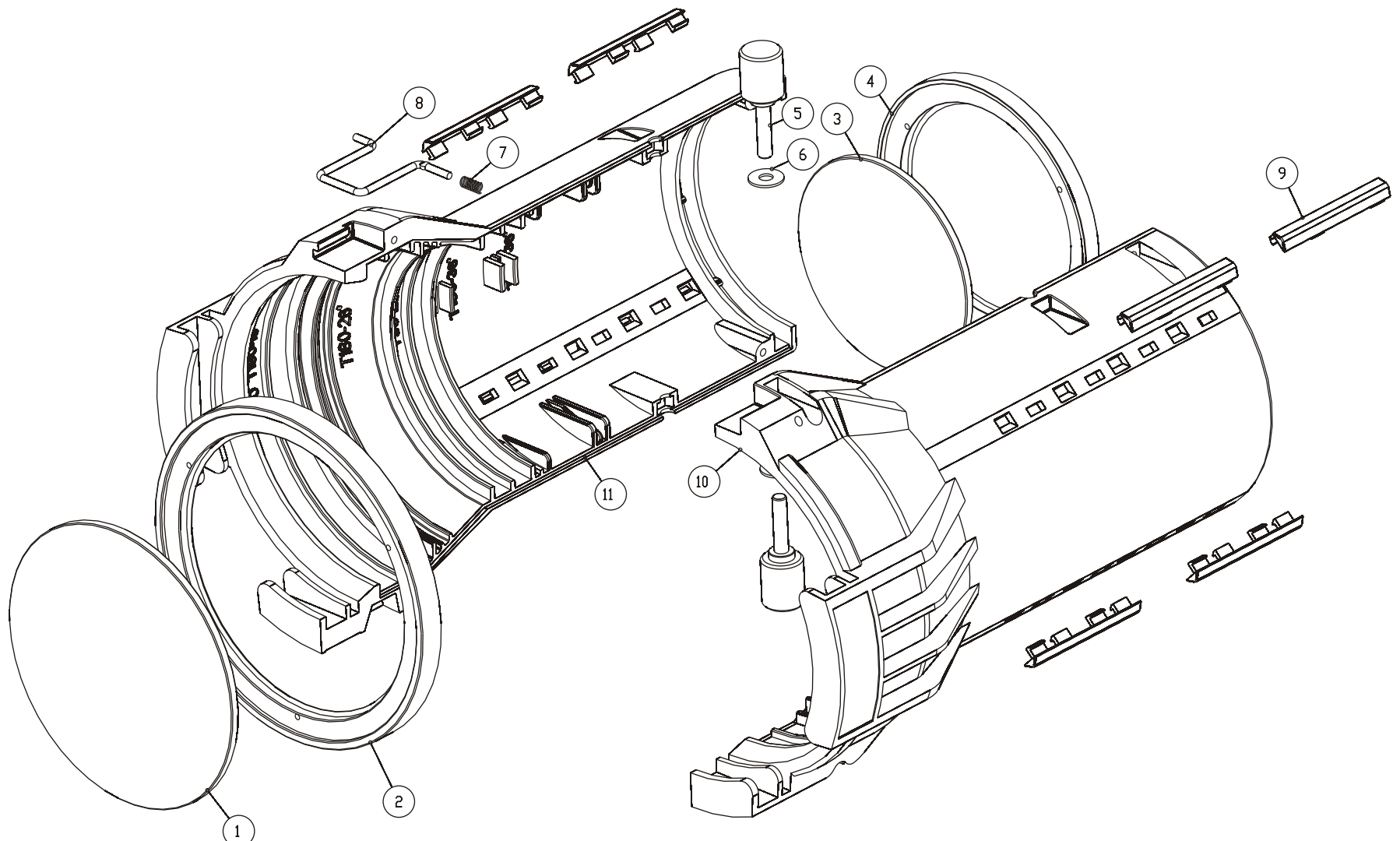
PRODUCT		COLOUR 5 PROFILE			
PIC. NO.		11-0144-02-00-00			
EDIT		FILE NO.	HY-EXP-15 23 A	PAGE NO.	4/11
CHECK		VERSION	B	DATE	2015. 5. 28
APPROVE		ECN NO.		DATE	



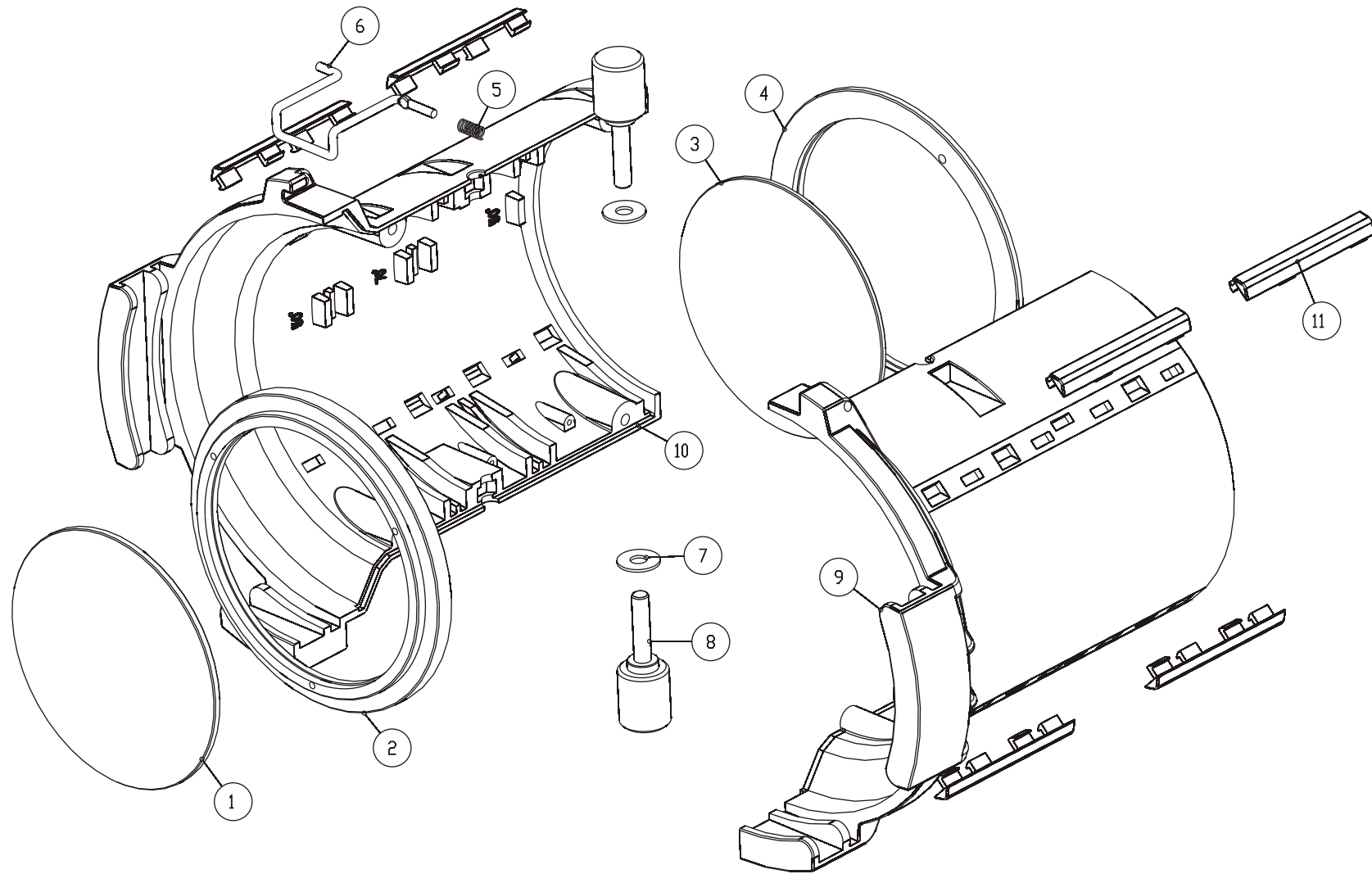
PRODUCT		19 Deg HD Lens for LED Profile			
PIC. NO.		00-0445-03-00-00 (19度镜头)			
EDIT		FILE NO.	HY-EXP-1523A	PAGE NO.	5/11
CHECK		VERSION	B	DATE	2015.5.28
APPROVE		ECN NO.		DATE	



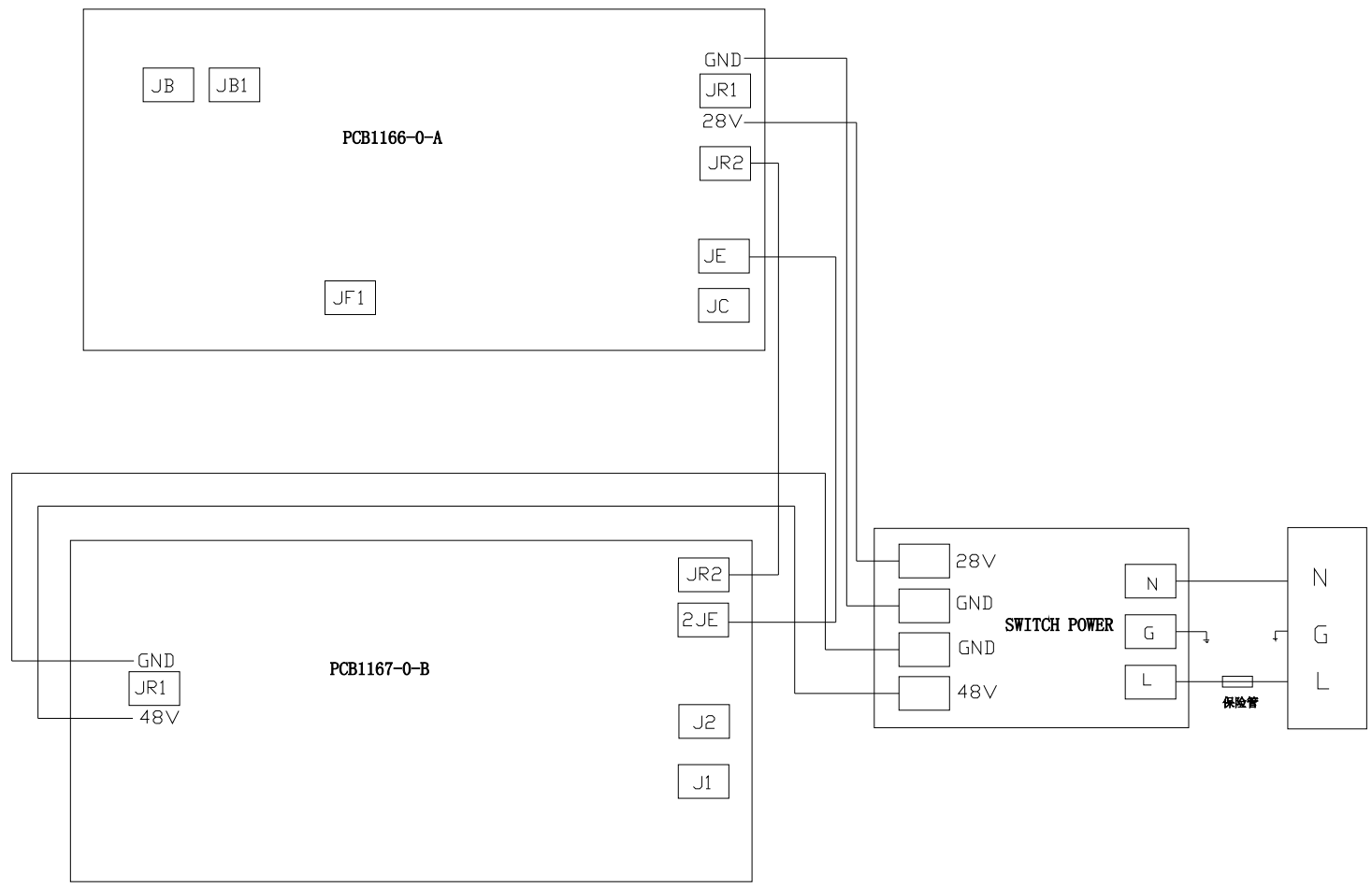
PRODUCT		26 Deg HD Lens for LED Profile			
PIC. NO.		00-0445-03-00-00 (26度镜头)			
EDIT		FILE NO.	HY-EXP-1523A	PAGE NO.	6/11
CHECK		VERSION	B	DATE	2015.5.28
APPROVE		ECN NO.		DATE	



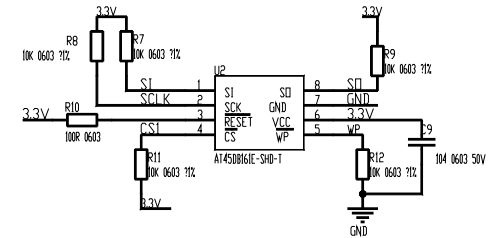
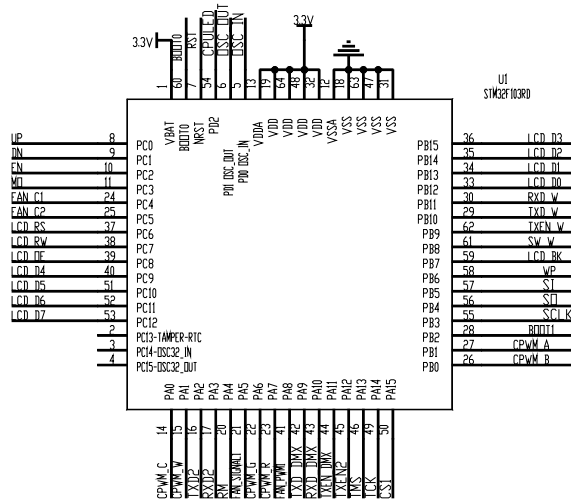
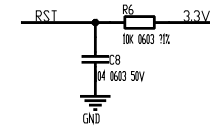
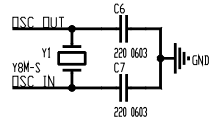
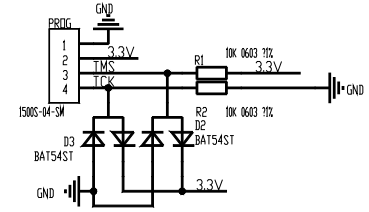
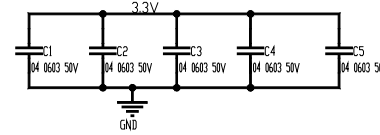
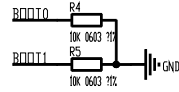
PRODUCT		36 Deg HD Lens for LED Profile			
PIC. NO.		00-0445-03-00-00 (36度镜头)			
EDIT		FILE NO.	HY-EXP-1523A	PAGE NO.	7/11
CHECK		VERSION	B	DATE	2015.5.28
APPROVE		ECN NO.		DATE	



PRODUCT		50 Deg HD Lens for LED Profile			
PIC. NO.		00-0445-03-00-00 (50度镜头)			
EDIT		FILE NO.	HY-EXP-1523A	PAGE NO.	8/11
CHECK		VERSION	B	DATE	2015. 5. 28
APPROVE		ECN NO.		DATE	



PRODUCT		COLOUR PROFILE			
PIC. NO.		COLOUR PROFILE		ELECTRIC	
EDIT		FILE NO.	HY-EXP-15 18A	PAGE NO.	9/11
CHECK		VERSION	NR	DATE	2015. 5. 28
APPROVE		ECN NO.		DATE	



PCB1166-0-A

PRODUCT		COLOUR PROFILE			
PIC. NO.		PCB1166-0-A SCHEME			
EDIT		FILE NO.	HY-WIEC-1397	PAGE NO.	10/11
CHECK		VERSION	NR	DATE	2015. 5. 28
APPROVE		ECN NO.		DATE	

